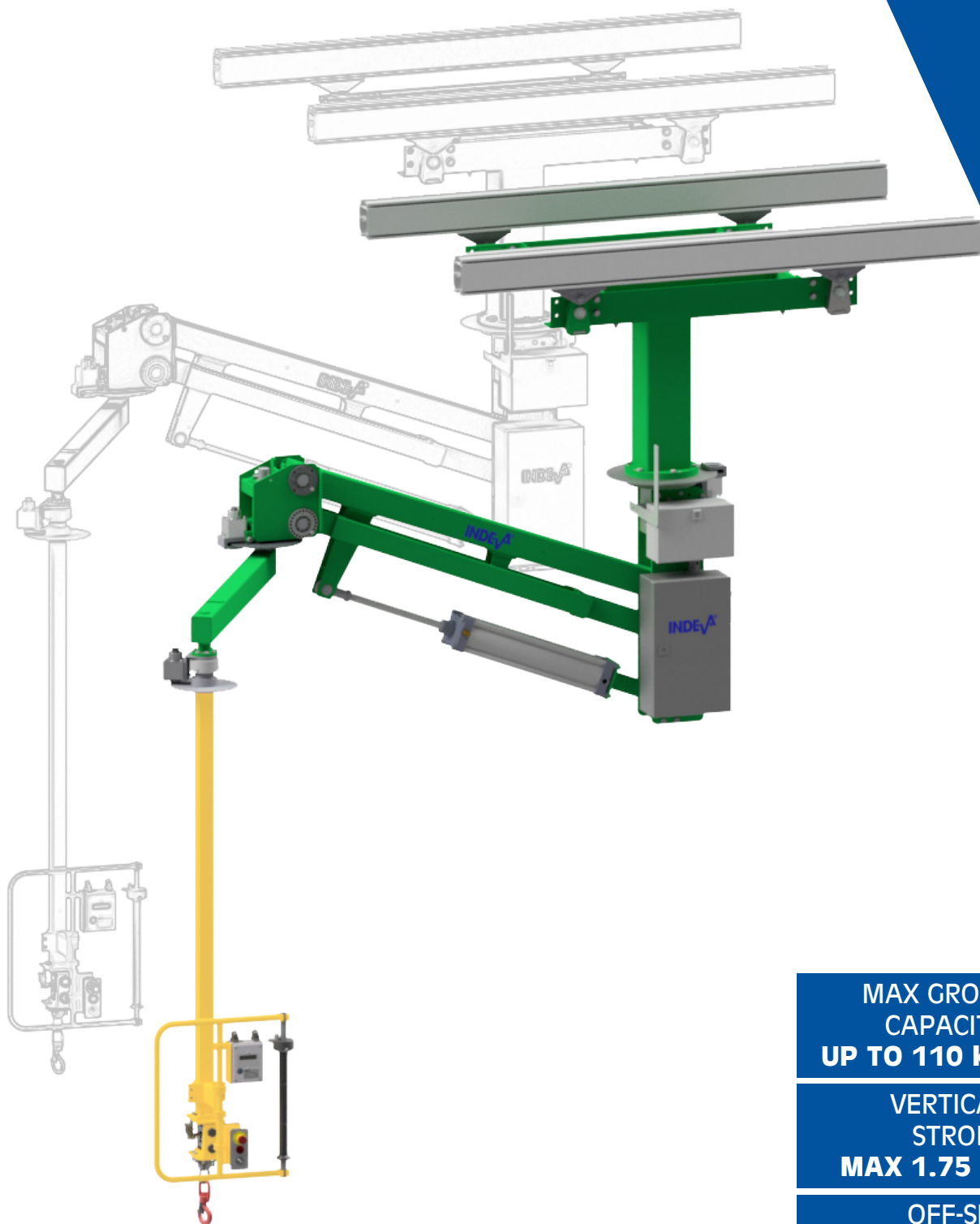


# LIFTRONIC® AIR - CEILING/RAIL MOUNTED 80



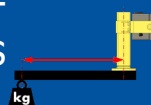
MAX GROSS  
CAPACITY  
UP TO 110 kg



VERTICAL  
STROKE  
MAX 1.75 m



OFF-SET  
LOADS



# INDEVA®

INTELLIGENT DEVICES FOR HANDLING

## LIFTRONIC® AIR - CEILING/RAIL MOUNTED 80

Model		LA080	LA080 + <sup>(4)</sup>
<b>SQ<sup>(1)</sup> (Max Load capacity)</b>	kg	80	110
<b>Min Load capacity</b>	kg	10	10
<b>L1</b>	mm	1620	1620
<b>L2</b>	mm	1080	1080
<b>R1*</b>	mm	2700	2700
<b>R2</b>	mm	907	907
<b>RH</b>	mm	-	715
<b>A<sup>(2)</sup></b>	mm	4293	4293
<b>B<sup>(2)</sup></b>	mm	1602	1602
<b>C<sup>(2)</sup></b>	mm	690	690
<b>D Vertical stroke</b>	mm	1751	1751
<b>E<sup>(2)</sup></b>	mm	2010	2010
<b>Weight (with column and load)</b>	kg	336	477
<b>Fv max<sup>(3)</sup></b>	daN	382	542
<b>Mges max<sup>(3)</sup></b>	daNm	520	520

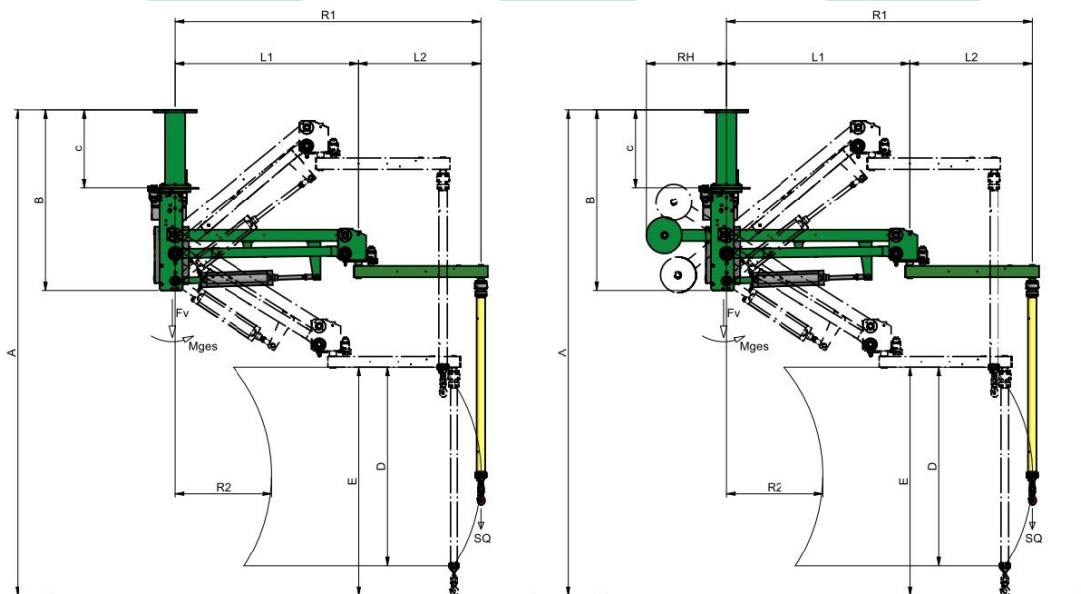
(1) Nominal load capacity SQ is determined with a compressed air supply of minimum 0,65 MPa (6,5 bar) and standard off-set load.

(2) Within certain limits, these values can be modified to suit specific requirements.

(3) Values including the relevant safety factor, according to UNI EN 13001.

(4) With counterweights.

\* Most common configurations. Other arm lengths available, all values change accordingly.



### GENERAL TECHNICAL SPECIFICATIONS

- Air pressure 0,65 MPa (6,5 bar)
- Power supply 115/230V A/C 50/60Hz
- Power consumption 100VA
- Enclosure protection IP54
- Noise level < 70 dB(A)
- Lifting capacity limiter
- Lift speed from 15 to 30 m/min
- Main column axis brake
- Intermediate joint axis brake
- Column rotation 360°
- Tool axis rotation 550°
- Slow descent in case of pressure failure
- Balancing type: load preset or self balancing (it depends from the tooling)

Due to continuous product improvement, these specifications may change without notice.

This document is property of INDEVA S.p.A.; any partial or full reproduction without written authorization by the owner is prohibited.

#### Applicable standards:

- Essential safety requirements provided by Directive 2006/42/EC;
- Electrical Equipment - Electromagnetic Compatibility (EMC) Directive 2014/30/EU.

### AVAILABLE OPTIONS

- Brake for up/down movement
- Special painting
- Sliding trolley
- Limit switch for the main and intermediate joint axis

### WORKING ENVIRONMENT CONDITIONS

- Relative humidity rate: 30% to 90% +/- 5%
- Working temperature 5 to 50 °C

### SAFETIES

(when assembled with tooling)

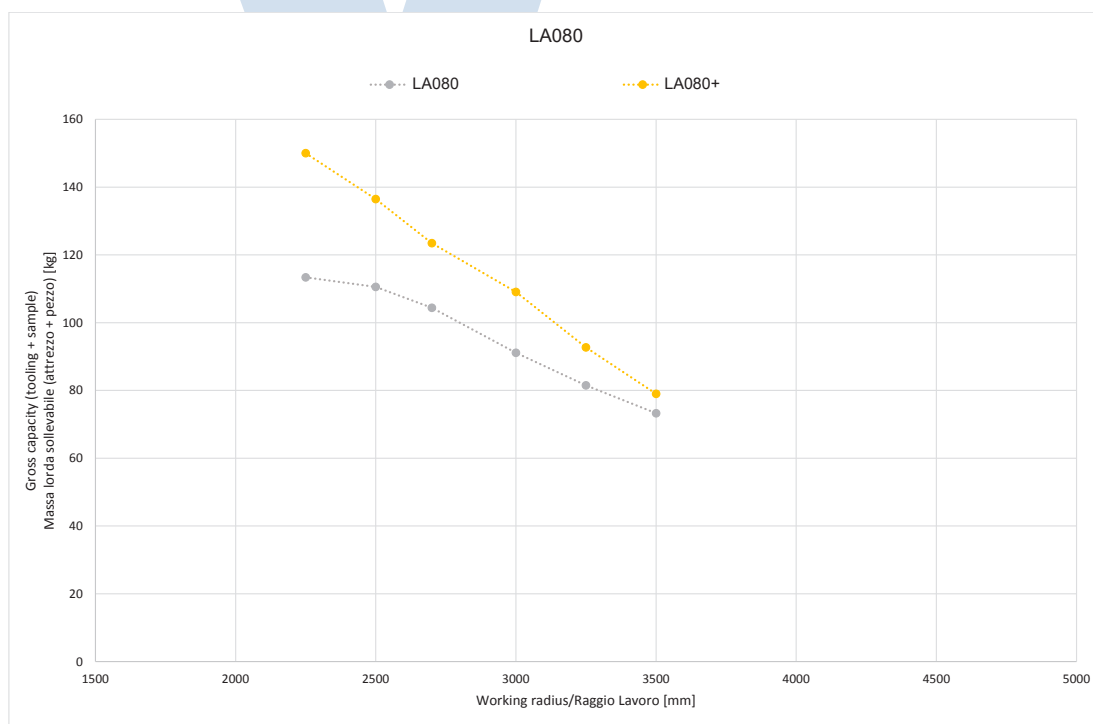
#### The system stops automatically when:

- A communication error is detected (fault inside the cables, fault inside an electronic board...);
- Electric power supply switches off;
- The system controls the balancer pressures and verifies the congruencies between them;
- A fault inside the proportional electric valve is detected;
- A fault inside the proportional pneumatic valve is detected;
- The cylinder pressure is not congruent with required pressure;
- The STOP button is pressed (without the intervention of programmable electronic boards - only electromechanical elements).

#### Other safeties:

- Load loss detection;
- The system generates warning (without stopping the balancer) in order to show "out of range" working situations;
- Maximum lifting load limitation by electronic control.

### CONFIGURATION CHART



Due to continuous product improvement, these specifications may change without notice.

This document is property of INDEVA S.p.A.; any partial or full reproduction without written authorization by the owner is prohibited.