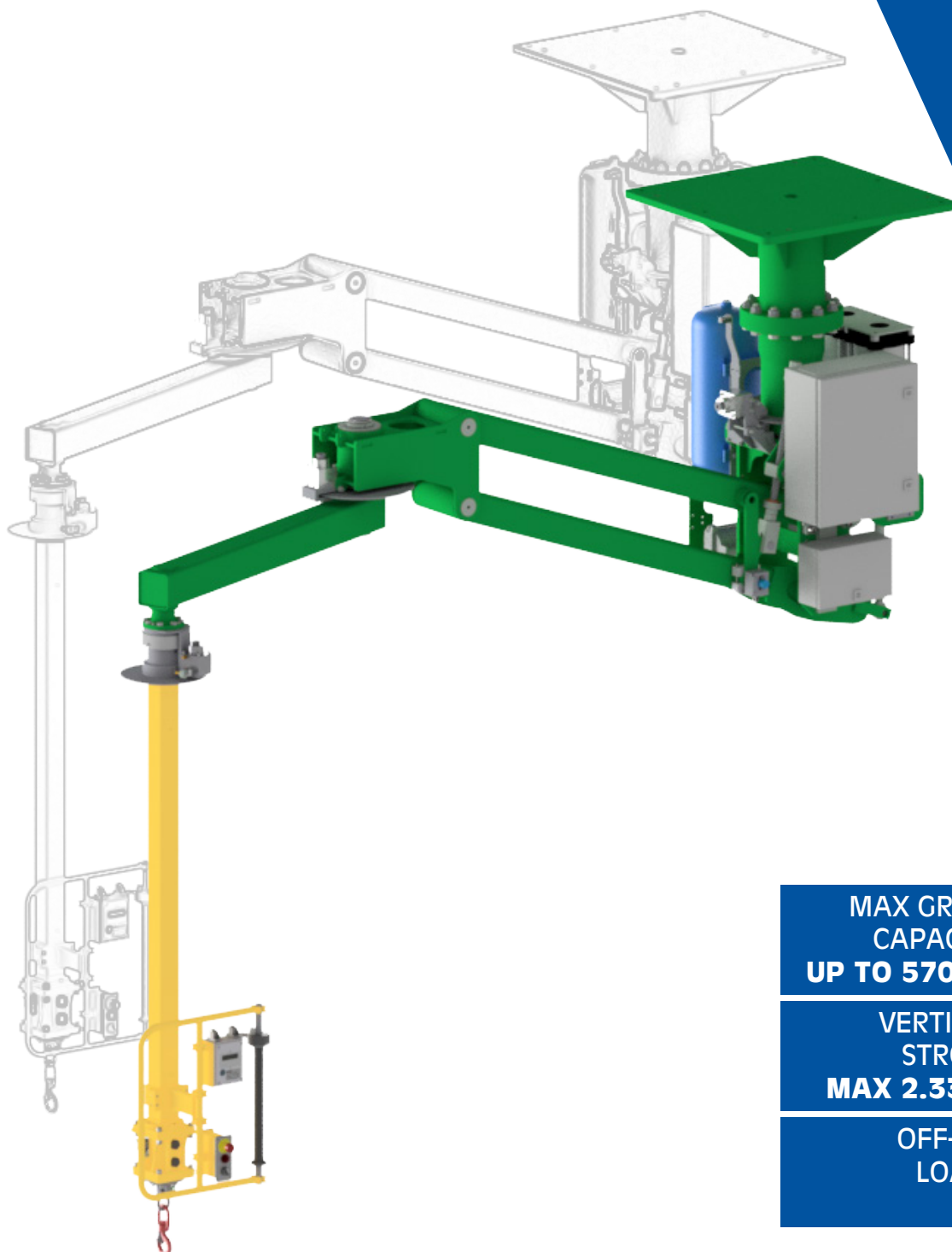


# LIFTRONIC® AIR - CEILING/RAIL MOUNTED 400



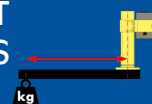
MAX GROSS  
CAPACITY  
**UP TO 570 kg**



VERTICAL  
STROKE  
**MAX 2.33 m**



OFF-SET  
LOADS



## LIFTRONIC® AIR - CEILING/RAIL MOUNTED 400

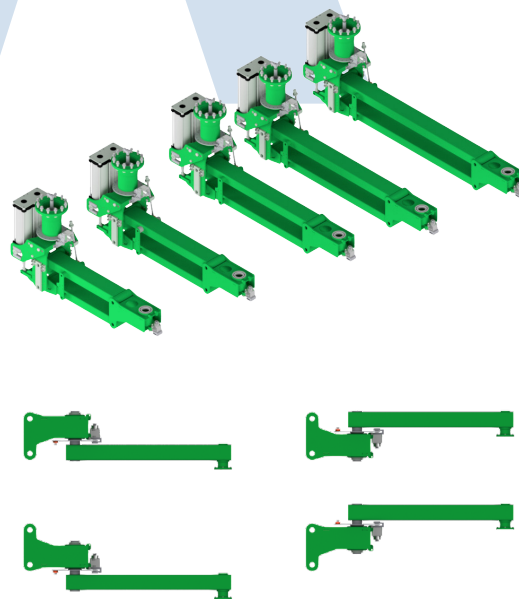
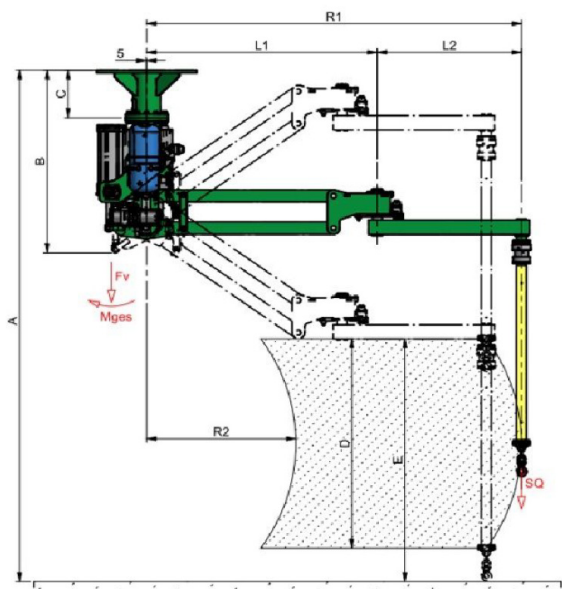
Model	LA400					
Type		XS*	S	M	L	XL*
<b>SQ(1) (Max Load capacity)</b>	kg	570	530	400	310	235
<b>Min Load capacity</b>	kg	15	15	15	15	15
<b>L1</b>	mm	1345	1595	1845	2095	2345
<b>L2</b>	mm	655	905	1155	1405	1655
<b>R1</b>	mm	2000	2500	3000	3500	4000
<b>R2</b>	mm	932	1058	1194	1337	1485
<b>A<sup>(2)</sup></b>	mm	3880	4025	4271	4517	4863
<b>B(2)</b>	mm	1430	1430	1530	1630	1830
<b>C<sup>(2)</sup></b>	mm	300	300	400	500	700
<b>D Vertical stroke</b>	mm	1167	1458	1750	2042	2333
<b>E<sup>(2)</sup></b>	mm	2010	2010	2010	2010	2010
<b>Weight (with column and load)</b>	kg	1180	1130	1025	980	950
<b>Fv max<sup>(3)</sup></b>	daN	1342	1280	1165	1107	1080
<b>Mges max<sup>(3)</sup></b>	daNm	1753	1970	1910	1960	1890

(1) Nominal load capacity SQ is determined with a compressed air supply of minimum 0,65 MPa (6,5 bar) and standard off-set load.

(2) Within certain limits, these values can be modified to suit specific requirements.

(3) Values including the relevant safety factor, according to UNI EN 13001.

\* Subject to approval by our engineers



### GENERAL TECHNICAL SPECIFICATIONS

- Air pressure 0,65 MPa (6,5 bar)
- Power supply 115/230V A/C 50/60Hz
- Power consumption 100VA
- Enclosure protection IP54
- Noise level < 70 dB(A)
- Lifting capacity limiter
- Lift speed from 15 to 30 m/min
- Main column axis brake
- Intermediate joint axis brake
- Column rotation 360°
- Tool axis rotation 550°
- Slow descent in case of pressure failure
- Balancing type: load preset or self balancing (it depends from the tooling)

Due to continuous product improvement, these specifications may change without notice.

This document is property of INDEVA S.p.A.; any partial or full reproduction without written authorization by the owner is prohibited.

### Applicable standards:

- Essential safety requirements provided by Directive 2006/42/EC;
- Electrical Equipment - Electromagnetic Compatibility (EMC) Directive 2014/30/EU.

## AVAILABLE OPTIONS

- Brake for up/down movement
- Special painting
- Sliding trolley
- Limit switch for the main and intermediate joint axis

## WORKING ENVIRONMENT CONDITIONS

- Relative humidity rate: 30% to 90% +/- 5%
- Working temperature 5 to 50 °C

## SAFETIES

(when assembled with tooling)

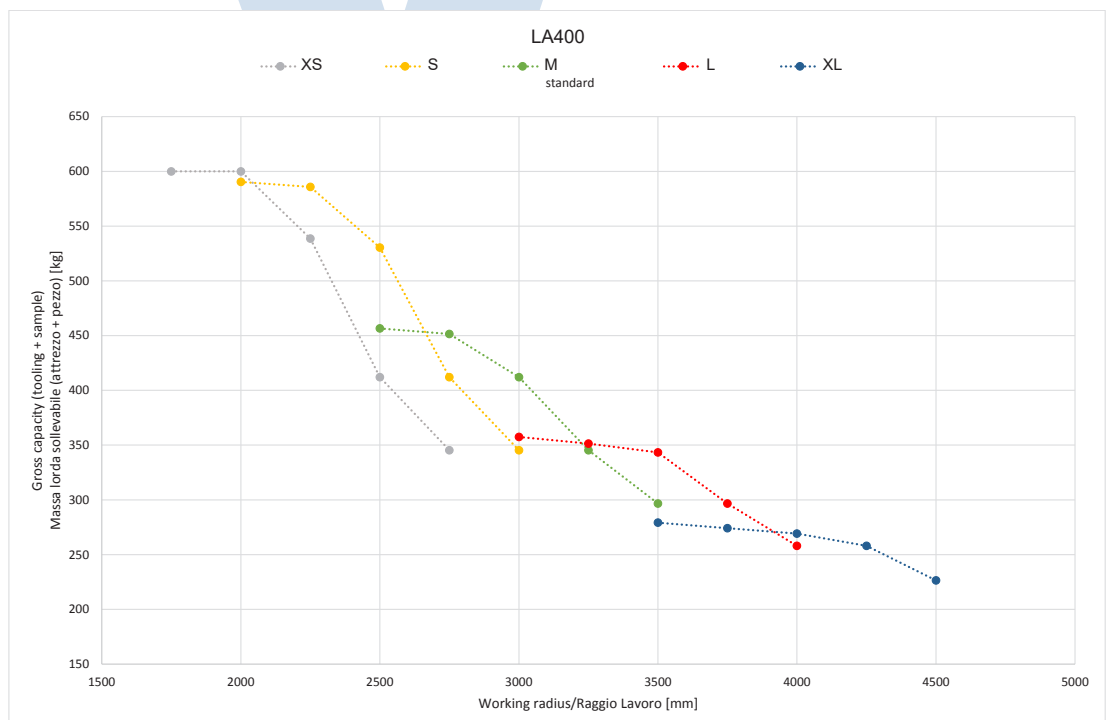
### The system stops automatically when:

- A communication error is detected (fault inside the cables, fault inside an electronic board...);
- Electric power supply switches off;
- The system controls the balancer pressures and verifies the congruencies between them;
- A fault inside the proportional electric valve is detected;
- A fault inside the proportional pneumatic valve is detected;
- The cylinder pressure is not congruent with required pressure;
- The STOP button is pressed (without the intervention of programmable electronic boards - only electromechanical elements).

### Other safeties:

- Load loss detection;
- The system generates warning (without stopping the balancer) in order to show "out of range" working situations;
- Maximum lifting load limitation by electronic control.

## CONFIGURATION CHART



Due to continuous product improvement, these specifications may change without notice.

This document is property of INDEVA S.p.A.; any partial or full reproduction without written authorization by the owner is prohibited.