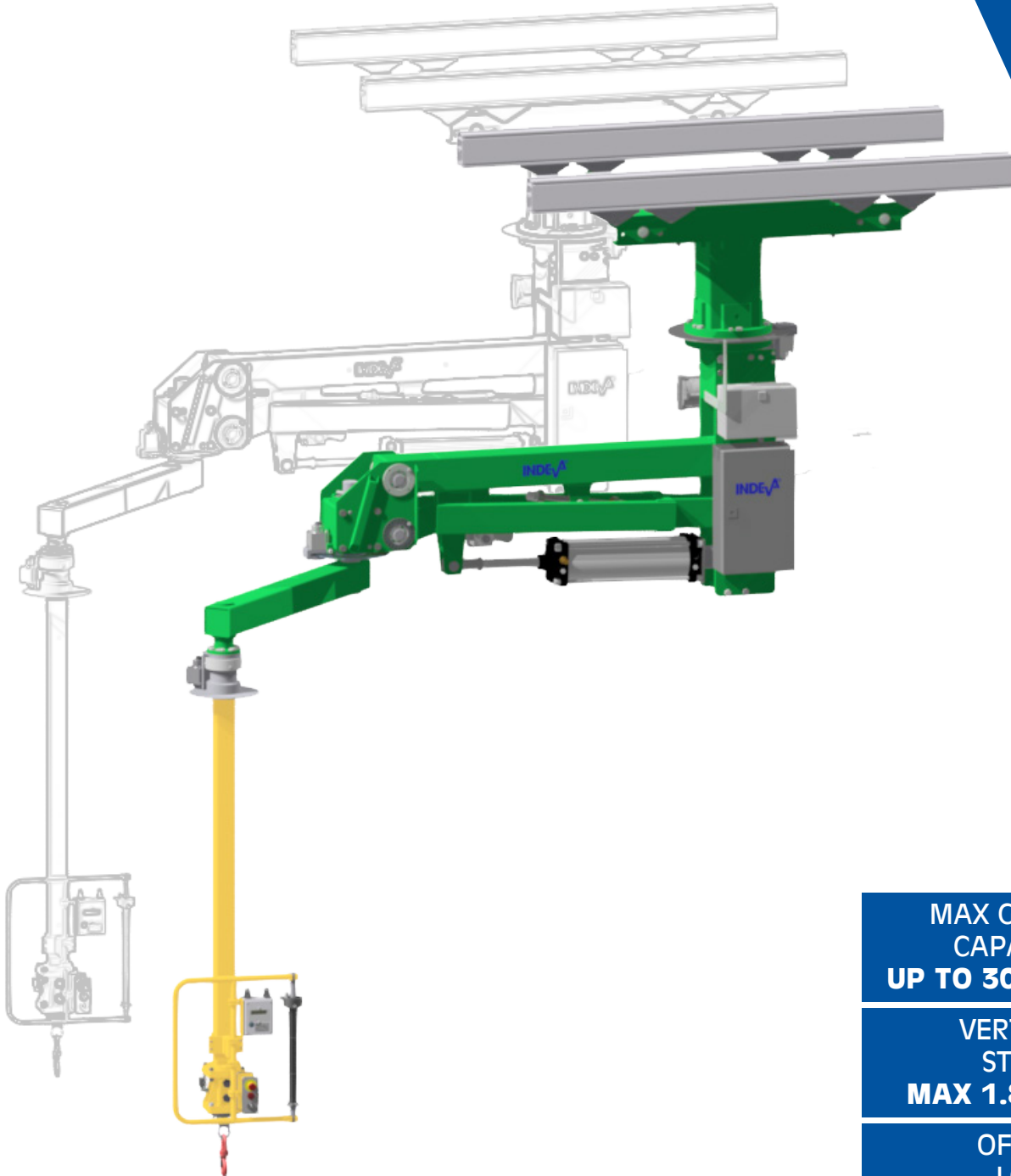


LIFTRONIC® AIR - CEILING/RAIL MOUNTED 250



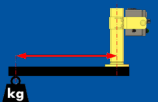
MAX GROSS
CAPACITY
UP TO 300 kg



VERTICAL
STROKE
MAX 1.86 m



OFF-SET
LOADS



LIFTRONIC® AIR - CEILING/RAIL MOUNTED 250

Model		LA250 STD		LA250 L	
		LA250	LA250 + ⁽⁴⁾	LA250L	LA250L + ⁽⁴⁾
Type					
SQ⁽¹⁾ (Max Load capacity)	kg	250	300	150	180
Min Load capacity	kg	15	15	15	15
L1	mm	1565	1565	1965	1965
L2	mm	1040	1040	1535	1535
R1*	mm	2605	2605	3500	3500
R2	mm	1109	1109	1263	1263
RH	mm	-	960	-	960
A⁽²⁾	mm	4172	4172	4492	4492
B⁽²⁾	mm	1536	1536	1656	1656
C⁽²⁾	mm	480	480	600	600
D Vertical stroke	mm	1451	1451	1866	1866
E⁽²⁾	mm	2007	2007	2020	2020
Weight (with column and load)	kg	723	900	661	837
Fv max⁽³⁾	daN	829	1030	758	960
Mges max⁽³⁾	daNm	1317	1300	1290	1300

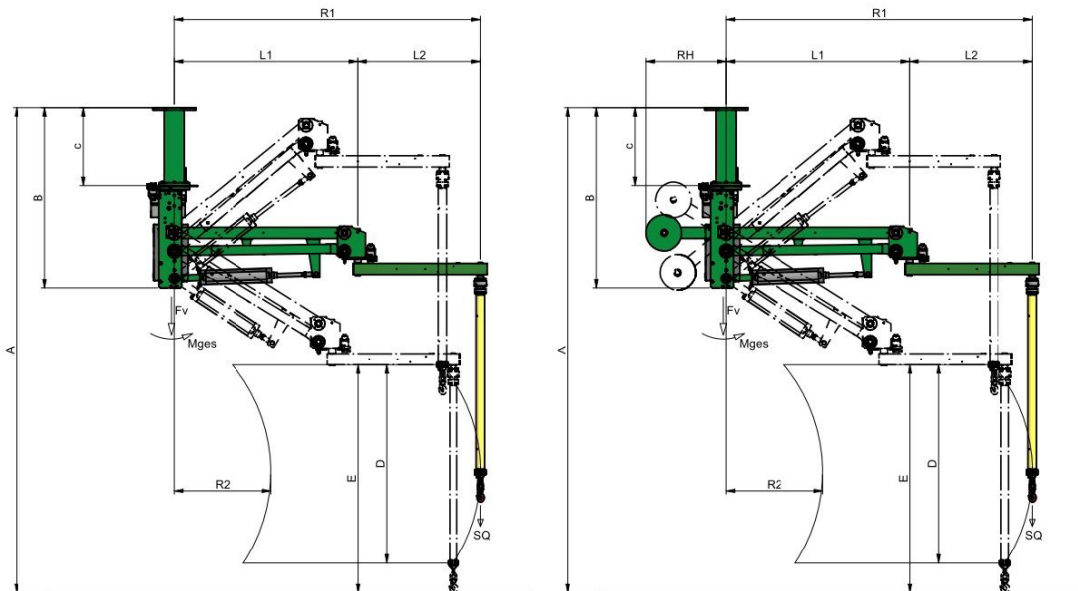
(1) Nominal load capacity SQ is determined with a compressed air supply of minimum 0,65 MPa (6,5 bar) and standard off-set load.

(2) Within certain limits, these values can be modified to suit specific requirements.

(3) Values including the relevant safety factor, according to UNI EN 13001.

(4) With counterweights.

* Most common configurations. Other arm lengths available, all values change accordingly.



GENERAL TECHNICAL SPECIFICATIONS

- Air pressure 0,65 MPa (6,5 bar)
- Power supply 115/230V A/C 50/60Hz
- Power consumption 100VA
- Enclosure protection IP54
- Noise level < 70 dB(A)
- Lifting capacity limiter
- Lift speed from 15 to 30 m/min
- Main column axis brake
- Intermediate joint axis brake
- Column rotation 360°
- Tool axis rotation 550°
- Slow descent in case of pressure failure
- Balancing type: load preset or self balancing (it depends from the tooling)

Due to continuous product improvement, these specifications may change without notice.

This document is property of INDEVA S.p.A.; any partial or full reproduction without written authorization by the owner is prohibited.

Applicable standards:

- Essential safety requirements provided by Directive 2006/42/EC;
- Electrical Equipment - Electromagnetic Compatibility (EMC) Directive 2014/30/EU.

AVAILABLE OPTIONS

- Brake for up/down movement
- Special painting
- Sliding trolley
- Limit switch for the main and intermediate joint axis

WORKING ENVIRONMENT CONDITIONS

- Relative humidity rate: 30% to 90% +/- 5%
- Working temperature 5 to 50 °C

SAFETIES

(when assembled with tooling)

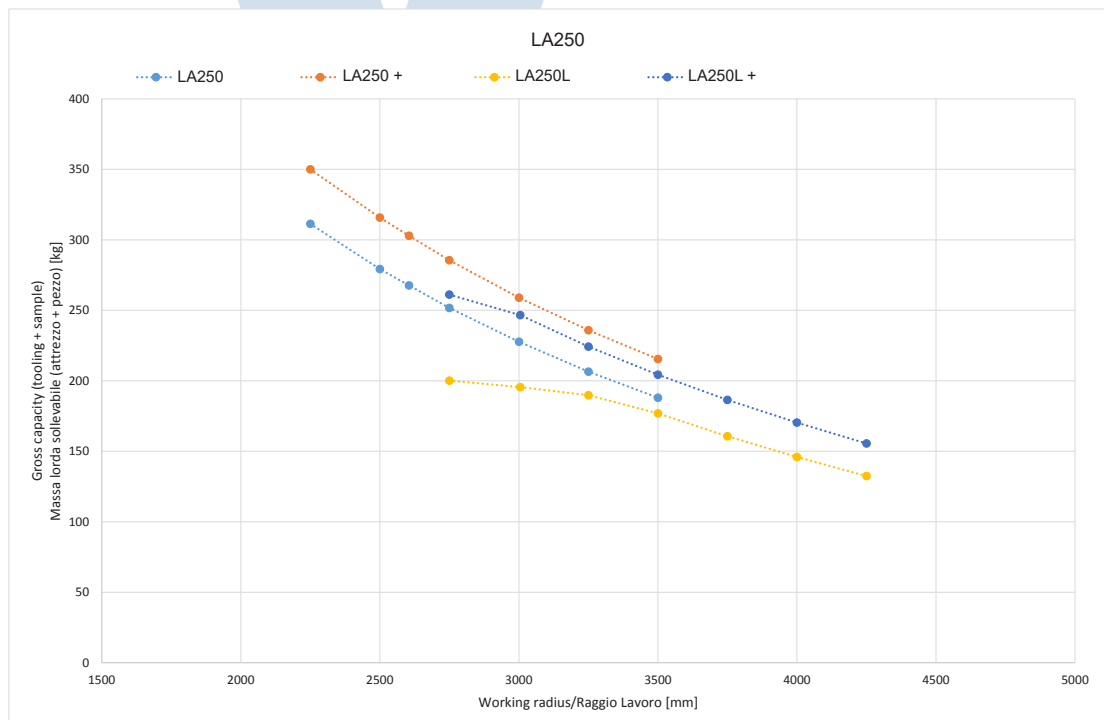
The system stops automatically when:

- A communication error is detected (fault inside the cables, fault inside an electronic board...);
- Electric power supply switches off;
- The system controls the balancer pressures and verifies the congruencies between them;
- A fault inside the proportional electric valve is detected;
- A fault inside the proportional pneumatic valve is detected;
- The cylinder pressure is not congruent with required pressure;
- The STOP button is pressed (without the intervention of programmable electronic boards - only electromechanical elements).

Other safeties:

- Load loss detection;
- The system generates warning (without stopping the balancer) in order to show "out of range" working situations;
- Maximum lifting load limitation by electronic control.

CONFIGURATION CHART



Due to continuous product improvement, these specifications may change without notice.

This document is property of INDEVA S.p.A.; any partial or full reproduction without written authorization by the owner is prohibited.