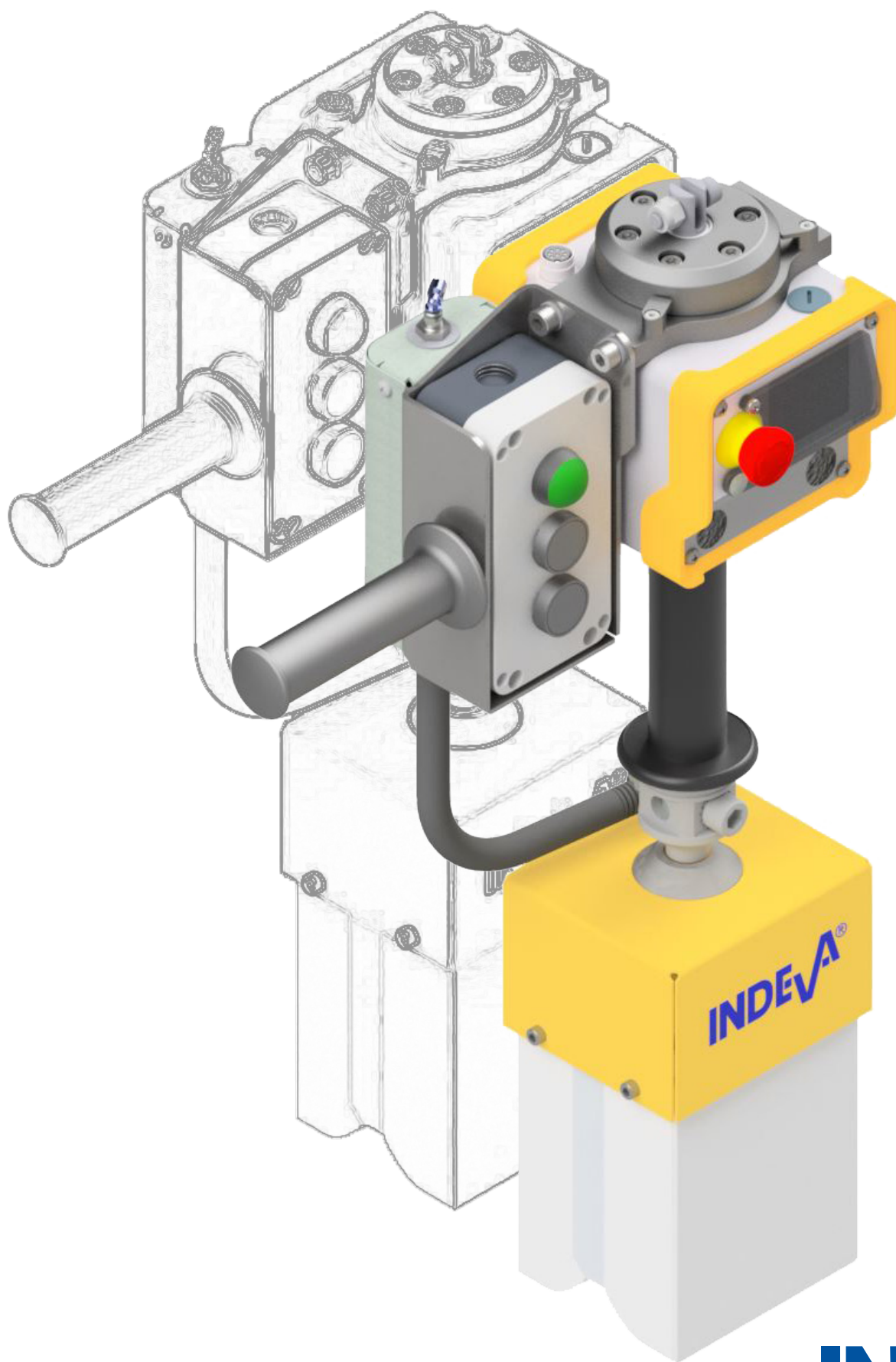


MAGNET



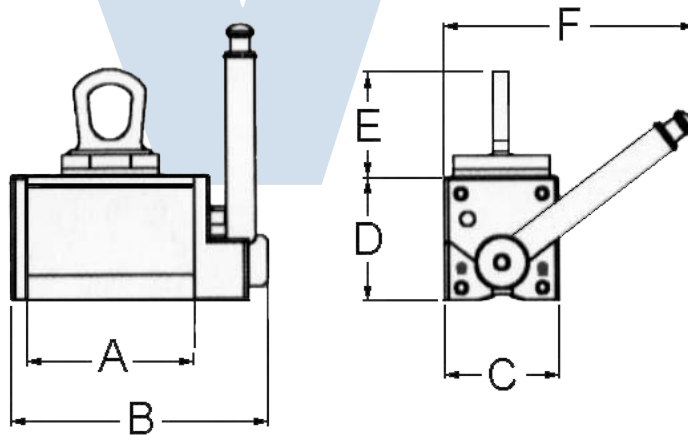
MANUAL MAGNET

- Magnet with manual lever complete with the 'Safety Shim'
- For gripping square or cylindric components
- Connection for EASY or Vertical tool head: Standard Hooks



Model	5EMEM1C17	5EMEM1C18
Unit Weight (kg)	4	11
(*) Flat SWL (kg)	125	250
Min Thick (mm)	20	25
(*) Round SWL (kg)	50	100
Max diameter Ø (mm)	200	300

- (*) Magnets are tested to lift 3 times the SWL rating for maximum safety.



Code	Dimensions (mm)					
	A	B	C	D	E	F
5EMEM1C17	101	155	69	74	64	152
5EMEM1C18	155	214	92	96	94	218

Due to continuous product improvement, these specifications may change without notice.

This document is property of INDEVA S.p.A.; any partial or full reproduction without written authorization by the owner is prohibited.

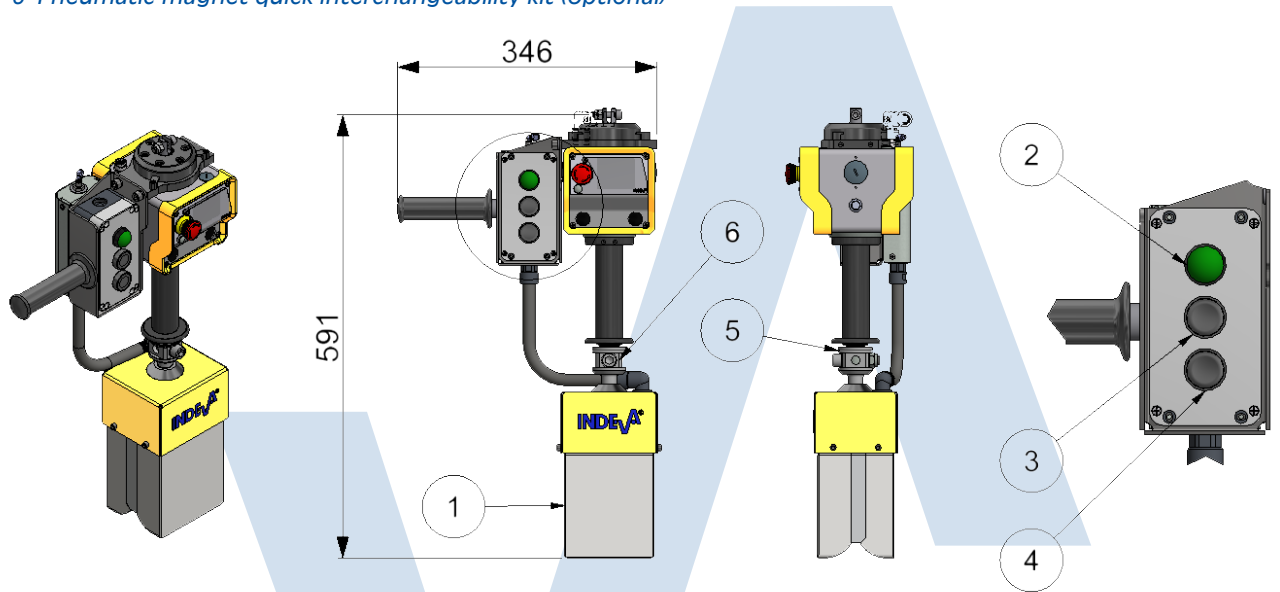
PNEUMATICALLY CONTROLLED MAGNET

Pneumatically controlled magnet.

The magnet features an embedded system that prevents status change in case of air shortage. This magnet can be used for gripping round bars, metal sheets. It is also suitable for gripping perforated plates.

Features:

- 1- Pneumatically controlled magnet with support sensor (lift/release enabling)
- 2- Grip Light OK
- 3- Grip
- 4- Release
- 5- Liftronic Easy 6 tool head coupling.
- 6- Pneumatic magnet quick interchangeability kit (Optional)



Self weight (magnet + button panel) ~ 12 kg

Magnet max load capacity 170 kg

Flats	Nominal lifting capacity	Thickness	Lenght max.	Operation temperature	Pressure min.
	170 kg	≥25 mm	**1500 mm	0° ÷ 50°	5 bar
Rounded / Tubes	Nominal lifting capacity	Ø (ROUNDS) S (TUBE)	Lenght max.	Operation temperature	Pressure min.
	120 kg	*Ø ≥ 120mm S ≥ 25mm	**1500 mm	0° ÷ 50°	5 bar

* For rounds less than Ø120 up to a minimum of Ø25mm, see the graphs for lifting capacity

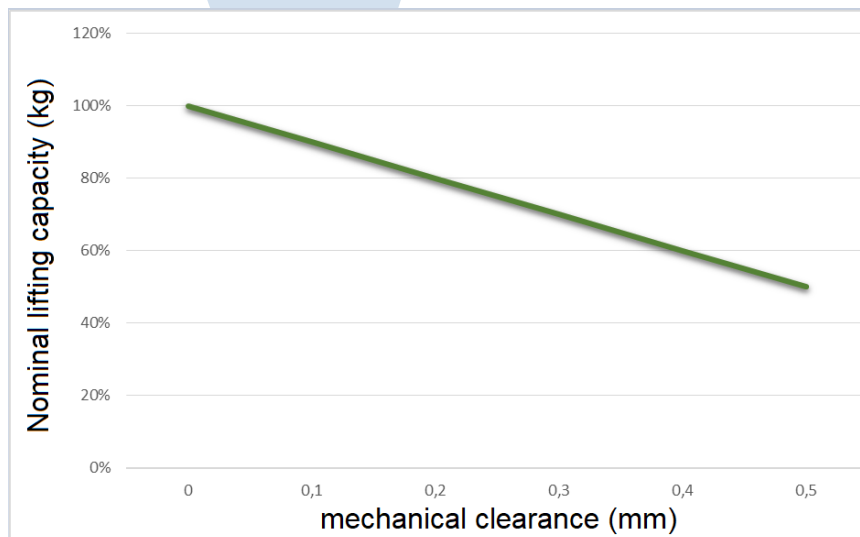
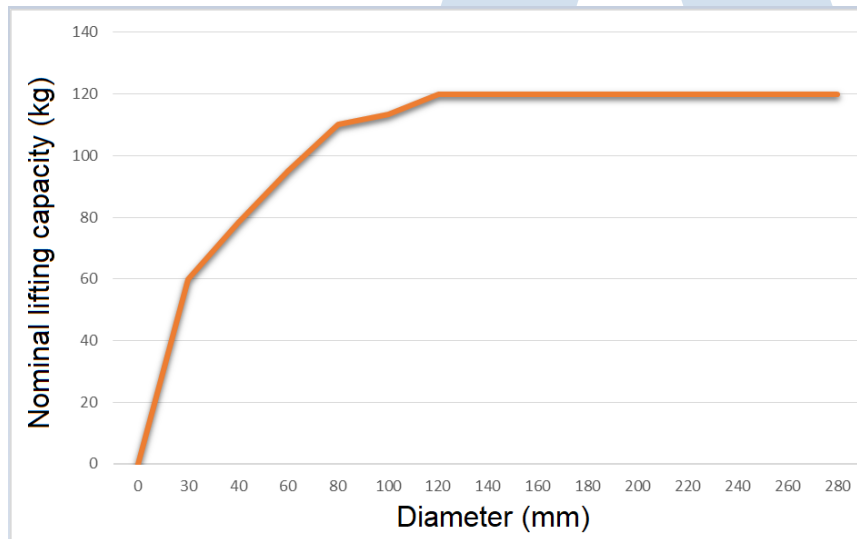
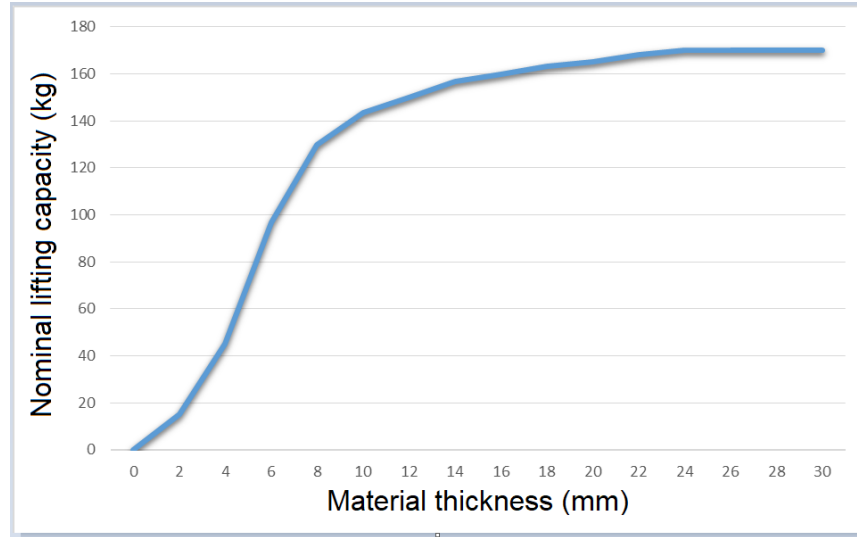
** The maximum length is indicative and estimated with gripping of the piece in "center of gravity"

Pipes with thickness less than 25 mm must be tested (contact Technical Office)

The nominal lifting capacity (kg) is the maximum weight that this magnet can lift with a safety coefficient equal to 3, for a load in structural steel S355.

LOAD GRIPPING CONDITIONS

Analyse following graphics that show gripping capacity / thickness (mm) / diameter (mm) / clearance ratio (mm). These graphics refer to structural steel (S355). Please check your load according to these graphics.



MAGNET