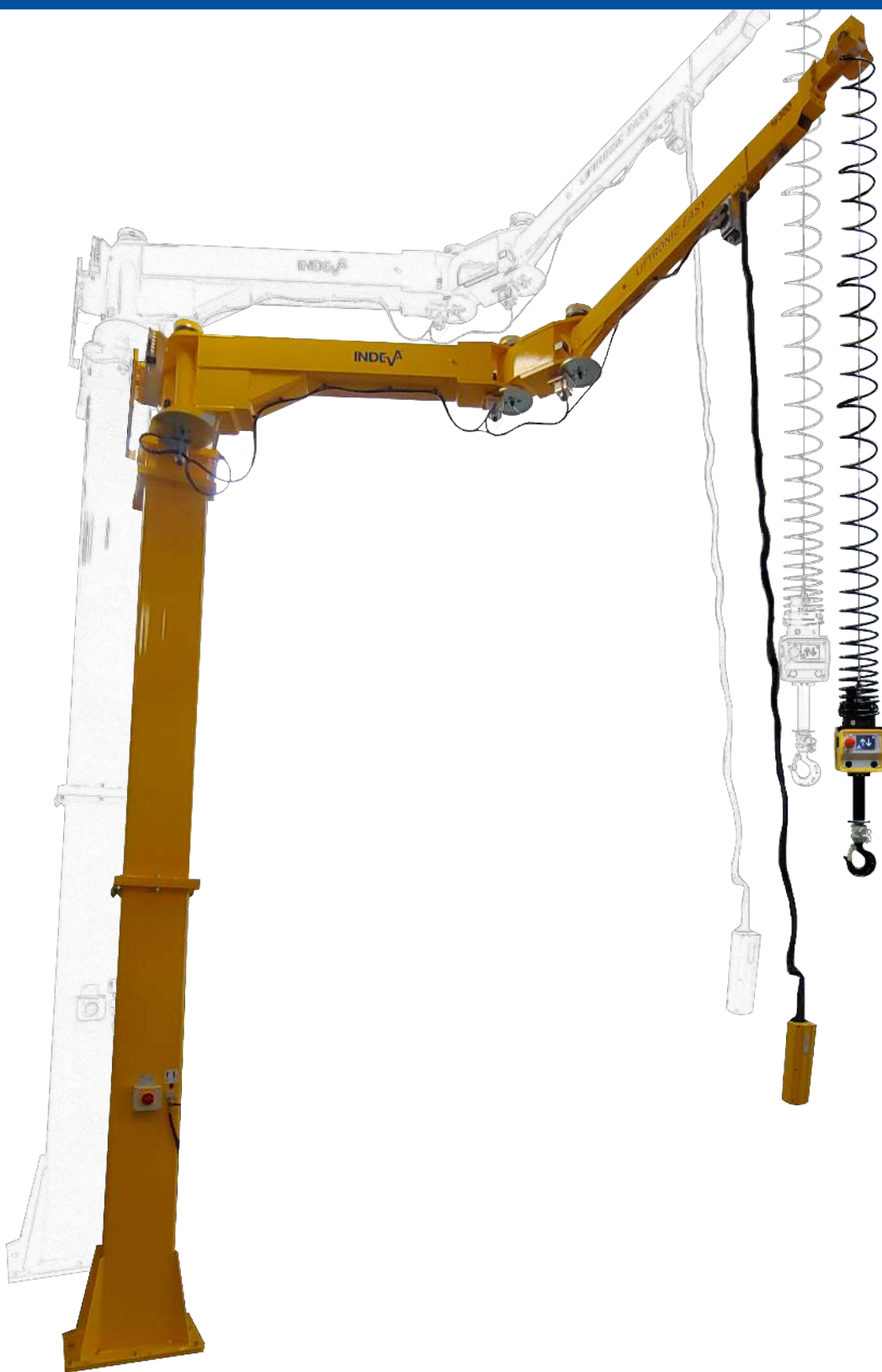


JUMBO LIFTRONIC EASY



MAX GROSS
CAPACITY
300 kg



VERTICAL
STROKE
up to 3,70 m



COLUMN HEIGHT
5 m



ARM LENGTH
4,2 m



MAX LIFTING
SPEED
18 m/min



CUSTOM MODEL

CHALLENGE

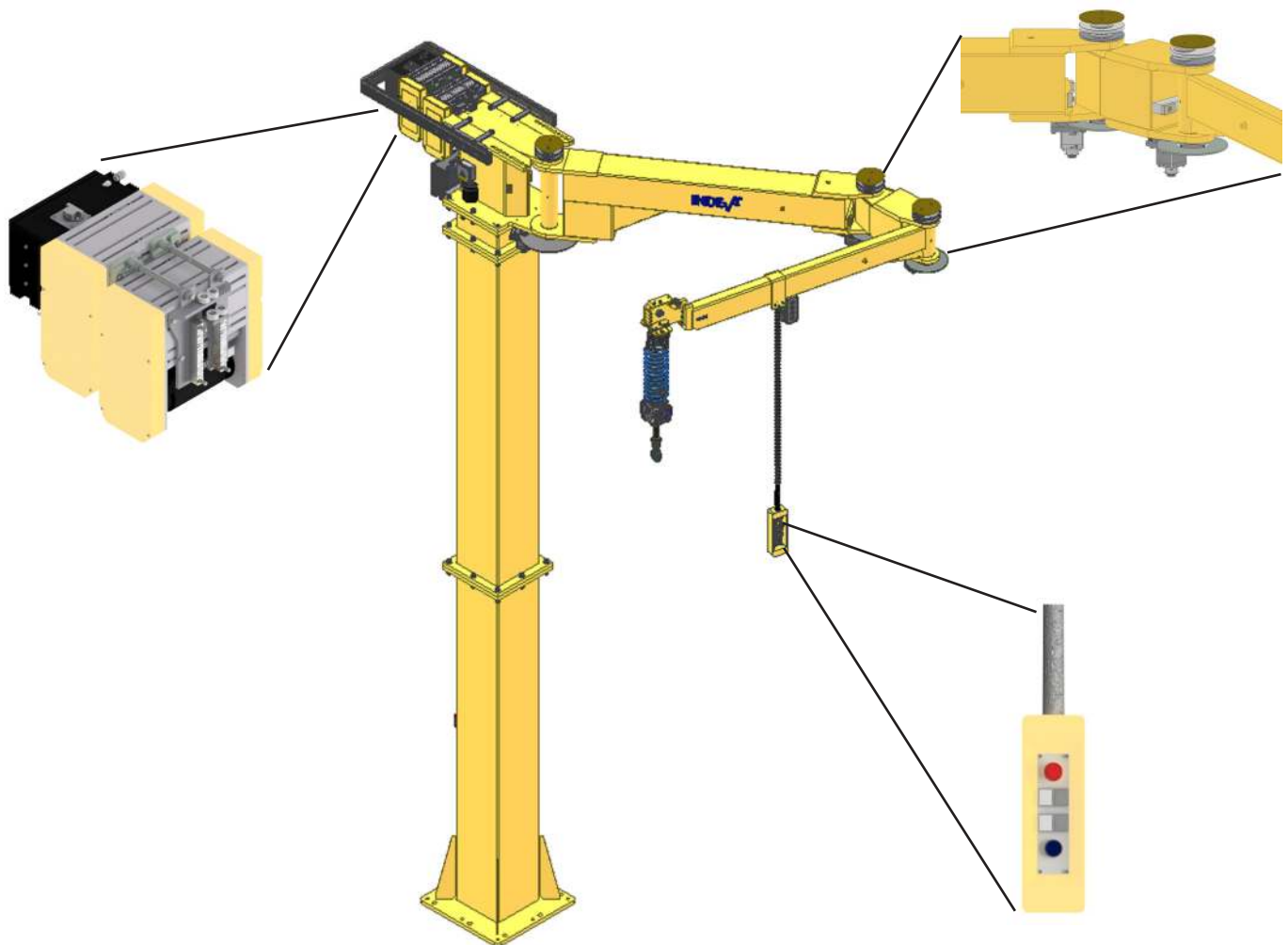
A Company needed a solution in their aircraft engine assembly line, for reaching parts at a 3700 mm height and moving them within a 4.2 meters reach. They also needed to precisely place the finished engine in a restricted area.

SOLUTION

Scaglia INDEVA supplied a custom solution that met all the above mentioned requirements: a column mounted Liftronic® Easy, 5 meters high with a 3 joint arm, 4,2 meter long.

It features:

3.70 m. stroke; float mode; pneumatic brakes on the arm joints; motor brake; pendant with UP/DOWN, speed, and brakes control buttons.



ADVANTAGES

- All the advantages of a Liftronic® Series manipulator available for handling loads up to about 4 meters height with 3,7 m stroke;
- The 3 joint Arm provides increased coverage within the radius of the arm and offers the operator smooth, controllable movement across the full radius with the added benefit of quick sideways movement using the forearm only;
- Possibility of use at different speeds and modes according to the different assembly phases: standard "float mode" for precise load placing in a restricted area, standard sensitive handle; optional pendant control unit for 2 different fixed speeds (very slow or fast) e sensitive handle;



LINEAR MANIPULATOR EXTRA



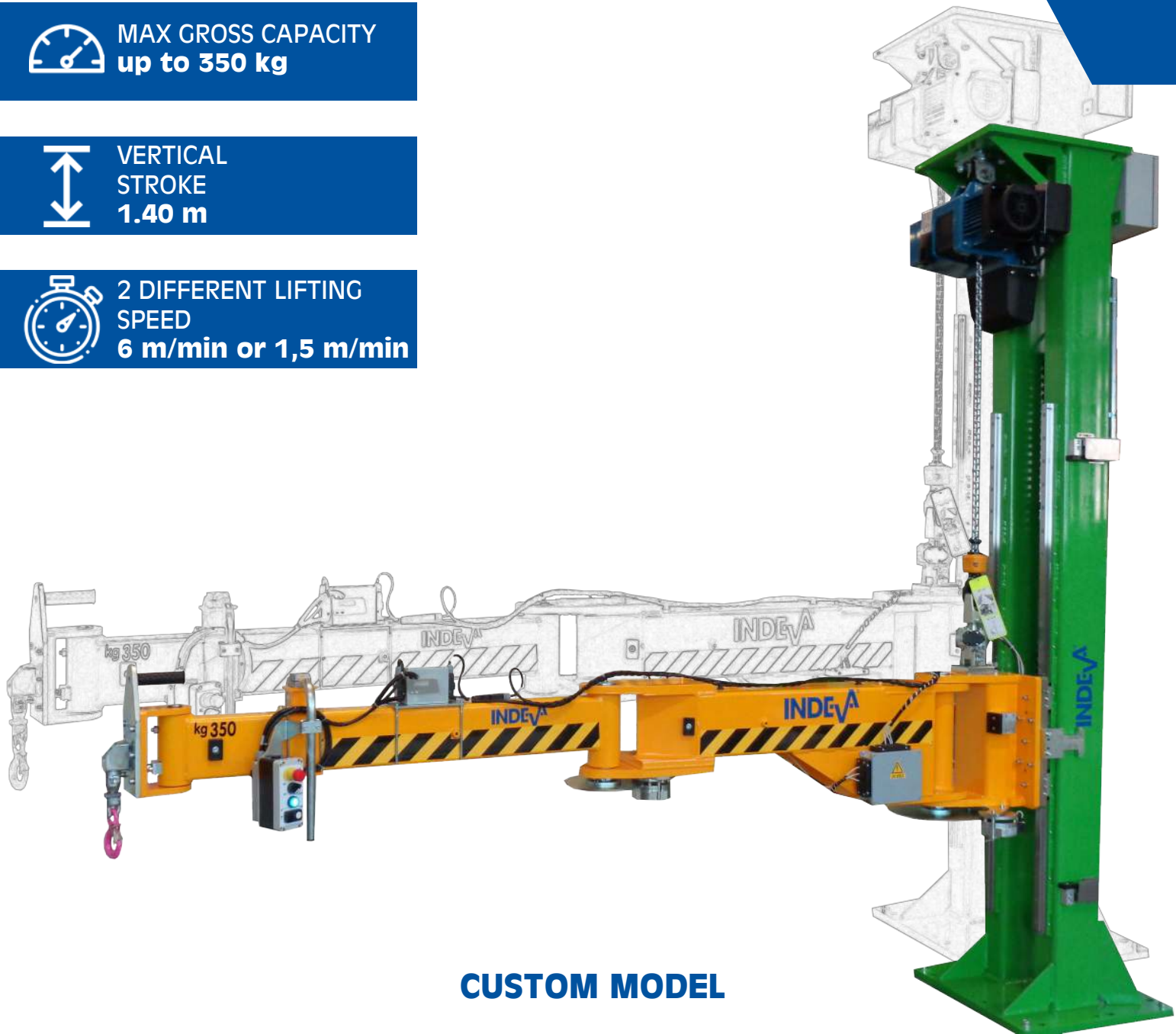
MAX GROSS CAPACITY
up to 350 kg



VERTICAL
STROKE
1.40 m



2 DIFFERENT LIFTING
SPEED
6 m/min or 1,5 m/min



CUSTOM MODEL

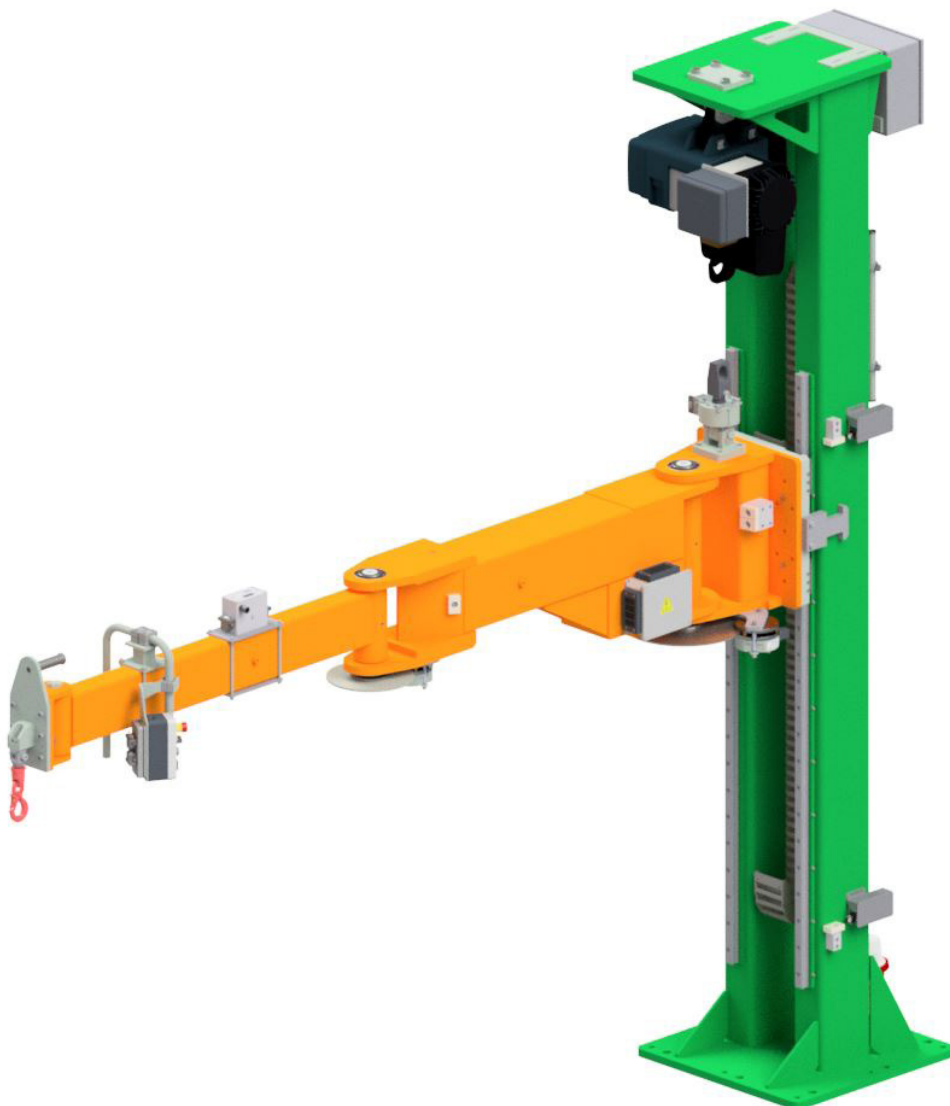
INDEVA[®]

CHALLENGE

A **Company needed to move tractor wheels** weighing 250 kg using a gripping tool that weighs 100 kg. The operators have to pick the wheels from a trolley and fixed them unto the tractor. The spot where the wheel has to be mounted is not reachable from above, due to the presence of the tractor frame, therefore the lift assist device had to feature a rigid arm. A pneumatic manipulator or a Liftronic® Air was not suitable because compressed air is not available.

SOLUTION

An **INDEVA® linear manipulator structure extra version**, equipped with electric hoist and push-button control panel. The system was supplied with standard hook unto which customer applied their gripper.



ADVANTAGES

- Higher load capacity thanks to the application of the hoist (up to 350 kg);
- Solution suitable for workplaces where it is not possible to have compressed air connection;
- Designed for handling offset loads in areas with low ceiling or overhead restrictions;
- Up-down push buttons giving controlled movement: you can move the load very quick 6m/min or very slow 1,5 m/min.



POTENTIAL APPLICATIONS

- Pick & Place
- Handling offset loads

