

# INDEVA<sup>®</sup>

INTELLIGENT DEVICES FOR HANDLING



## Linear manipulator

*Liftronic<sup>®</sup> Series*

# Linear Manipulator

Liftronic® series

**INDEVA**  
INTELLIGENT DEVICES FOR HANDLING

Linear manipulator is an Intelligent Assist Device of the Liftronic® Series

- Designed for handling offset loads in areas with low ceiling or overhead restrictions
- All the unique Liftronic® Series advantages are present

Advantages of the Liftronic® Series – the state of the art electronic load balancers:

- Auto-weight sense and automatic load weight balancing
- Precise movement of the load
- High precision in load placing
- The load doesn't suffer any impact when positioned
- Touch sensitive handle giving fingertip controlled movement: you can move the load at the exact speed you want, very quick or very slow
- Total safety in the event of sudden loss of load: the controls immediately balance the system, so removing the risk of sudden upward movement of the tooling
- User-friendly
- Easy to maintain
- Remote servicing available



# Linear Manipulator

Liftronic® series



Size Light - standard with hook

CAPACITIES TABLE (kg)

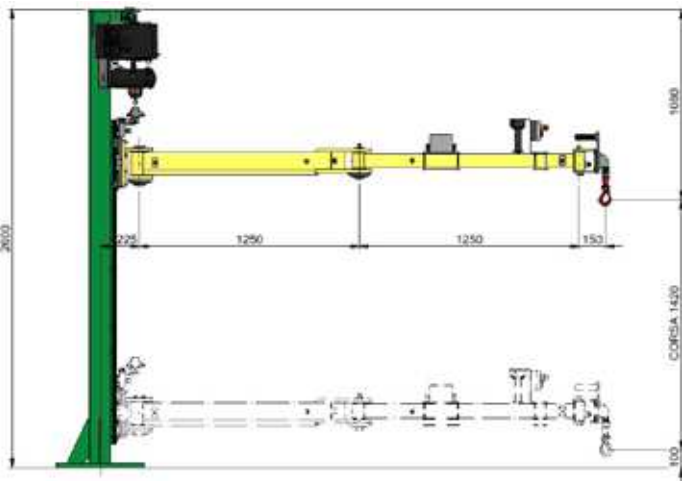
| Arm length (m) | 1.50 | 1.75 | 2.00 | 2.25 | 2.50 | 2.75 | 3.00 |
|----------------|------|------|------|------|------|------|------|
| LM160          | 74   | 70   | 67   | 63   | 60   | 56   | 52   |
| LM240          | 154  | 150  | 140  | 122  | 105  | 90   | 75   |



Size Heavy - standard with hook

CAPACITIES TABLE (kg)

| Arm length (m) | 1.50 | 1.75 | 2.00 | 2.25 | 2.50 | 2.75 | 3.00 | 3.25 | 3.50 | 3.75 | 4.00 |
|----------------|------|------|------|------|------|------|------|------|------|------|------|
| LM240          | 143  | 139  | 135  | 131  | 128  | 124  | 121  | 117  | 114  | 100  | 85   |
| LM320          | 223  | 219  | 215  | 211  | 205  | 185  | 165  | 140  | 120  | -    | -    |



\* Standard arm length ranges from 1500 mm to 4000 mm depending on the required structure size and load capacity

