

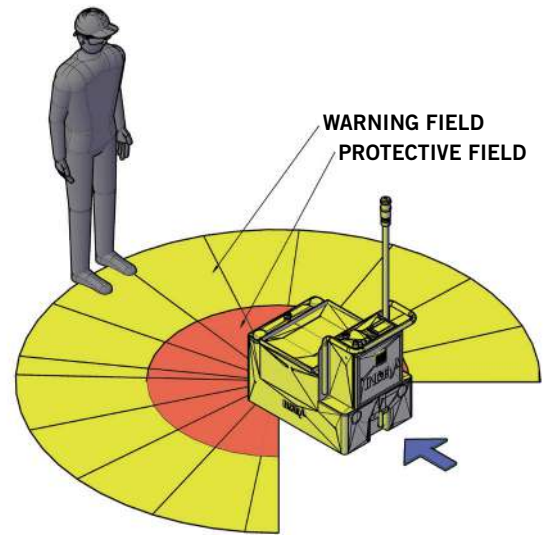
INDEVA AGV

Technical data

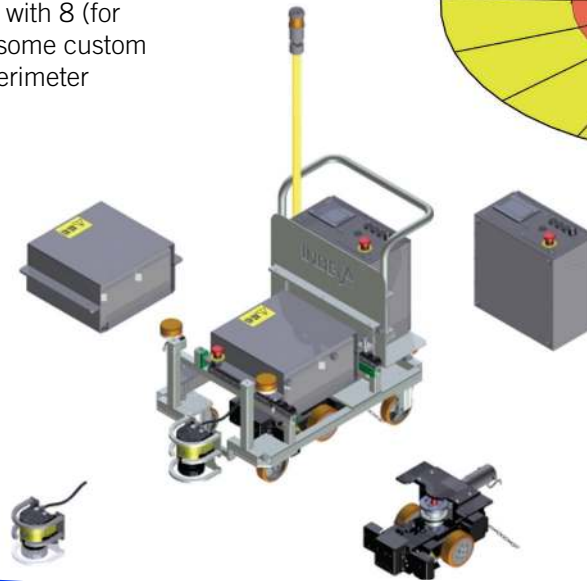


Safety and certifications

All INDEVA AGVs, both standard and custom, are CE certified and comply with all Safety, Ergonomics and European Quality Standards, Directives and Regulations, in particular Directive 2006/42/EC. Certifications cover also the route and all relative risks.



A class 3 Laser Scan system with 8 (for standard models) or 16 (for some custom models) zones guarantees perimeter safety control.



	Tugger/Tunnel 750 Kg	Tugger 1500 kg
POWER SUPPLY	24 Volts DC	48 Volts DC
DRIVE UNIT	Motor type DC Brushless (with brake) power 100W x 2	Motor type DC Brushless (with brake) power 400W x 2
TOWING CAPACITY	Max towing capacity: 750 kg	Max towing capacity: 1500 kg
TOWING FORCE	350 N - 36 kgf - (maximum at max speed)	700 N - 72 kgf (maximum at max speed)
MAX SPEED	50 m/min (selectable from 5 to 50 m/min)	50 m/min (selectable from 5 to 50 m/min)
GUIDANCE SYSTEM	Magnetic	Magnetic
DIRECTION	Forward	Forward
STEERING SYSTEM	Differential speed between drive wheels	Differential speed between drive wheels
MIN TURNING RADIUS	600 mm	1000 mm
MAX FLOOR INCLINATION	1%	1%
FLOOR LEVELNESS	± 5 mm every 2 meters	± 5 mm every 2 meters
STOP PRECISION	± 30 mm	± 30 mm
BATTERIES	Set of 24V (2x12V) Gel 40Ah or 70 A/h (charger included)	Set of 48V (4x12V) Gel 135A/h (charger included)
BATTERY RUN TIME	About 6 hours for 40A/h and 10 hours for 70A/h	About 16 hours
PROGRAMS	56 programs - 250 lines each program	56 programs - 250 lines each program
DIMENSIONS LxWxH Tugger	965 mm x 544 mm x H 1.500 mm	1400 mm x 920 mm x H 1150 mm
DIMENSIONS LxWxH Tunnel	1.350 mm x 570 mm x H 450 mm	
OBSTACLE SENSOR	SICK Laser Scanner 8 zones	SICK Laser Scanner 8 zones
SAFETY	According to all relevant standards (EN1525, EN13839): Obstacle sensor, flashing lamp, melody unit, emergency stop button, turn indicators (optional)	