

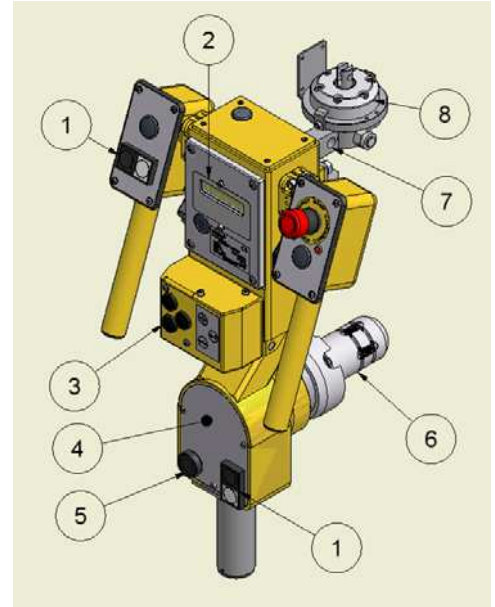
LIGHT ORBITAL TOOLHEAD

General features:

- 90° manual rotation
- Max capacity: loads max 90 kg L=300 mm
- Electrical rotation release
- Both "load preset" and self-balancing" modes are available
- Designed for easy fitting of the sensitive handle (standard position of sensitive handle on the right)
- Control Unit PLUS
- Electronic board box enclosure protection: IP54
- Motor torque control up to 2 motors
- Standard color: RAL1018

Legend:

1. Grip / release buttons
2. Control unit PLUS
3. load and unload condition adjusting buttons (for the load preset mode)
4. Gripper activation
5. Rotation release button
6. Chuck
7. Upper support bar
8. Balancer's connection flange



Upper support variants (7):

- Small size fixed connection (see picture)
- Fixed connection with custom height
- Powered barycentre
- Spring barycentre

Gripping system variants (4):

- Powered chuck for reels (see picture)
- Chuck for reels with electromagnetic release
- Powered chuck for wire reels with grip on the external sides
- Powered chuck for different loads with grip on the external sides

Connection flange variants (8):

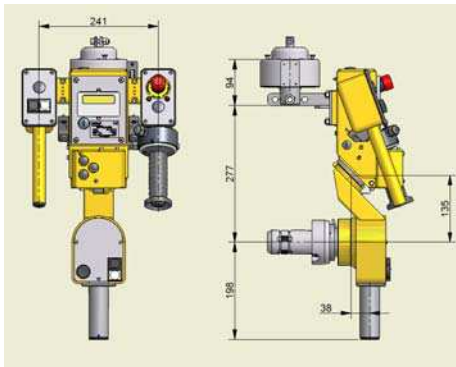
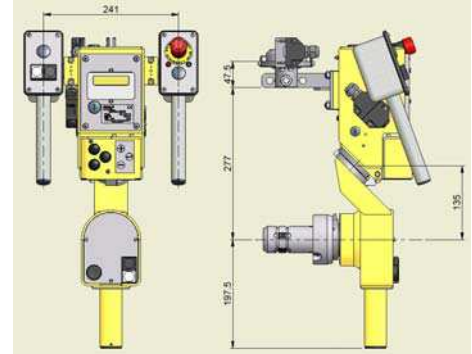
- Flange without sensor for "load preset" balancing (see picture)
- Flange with sensor for 1 rope balancer
- Flange with sensor for 2 ropes balancer

N.B. the chuck arm (quote 135 mm in pictures on page 2) and the upper support sizes (quotes 277 and 434) vary according to the size and weight of the load.

Light orbital toolhead – for reels – preset load – small size fixed connection

Product code: 2ALTB600..... (chuck excluded)

- Capacity: 90kg L=300mm
- Allows for actuation of up to 10 preset loads
- Optional sensitive handle
- Chuck quick coupling
- Chuck customization according to different requests
- Free rotation chuck
- Weight: 16.5kg (chuck excluded)
- Enclosure protection: IP42 (IP54 electronic board box)



Light orbital toolhead – for reels – self-balancing – small size fixed connection

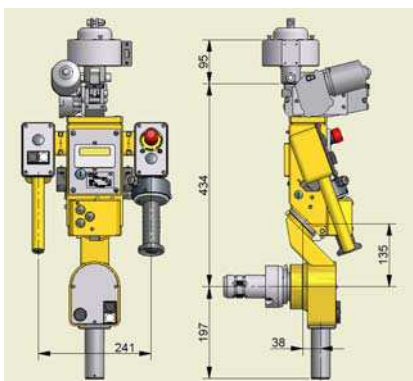
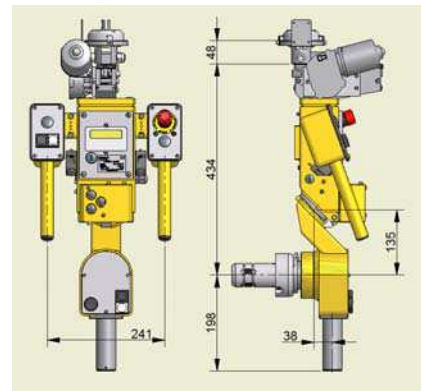
Product code: 2ALTB601..... (chuck excluded)

- Capacity: 90kg L=300mm
- Self-balancing
- Standard sensitive handle
- Chuck quick coupling
- Chuck customization according to different requests
- Free rotation chuck
- Weight: 18.5kg (chuck excluded)
- Enclosure protection: IP42 (IP54 for electronic board box)

Light orbital toolhead – for reels – preset load – powered barycentre

Product code: 2ALTB604..... (chuck excluded)

- Capacity: 50kg L=300mm (limited capacity due to max barycentre capacity)
- Allows for actuation of up to 10 preset loads
- Optional sensitive handle
- Chuck quick coupling
- Chuck customization according to different requests
- Free rotation chuck
- Weight: 21kg (chuck excluded)
- Enclosure protection: IP42 (IP54 for electronic board box)



Light orbital toolhead - for yarn reels – self-balancing - powered barycentre

Product code: 2ALTB603..... (chuck excluded)

- Capacity: 50kg L=300mm (limited capacity due to max barycentre capacity)
- Self-balancing
- Optional sensitive handle
- Chuck quick coupling
- Chuck customization according to different requests
- Free rotation chuck
- Weight: 23kg (chuck excluded)
- Enclosure protection: IP42 (IP54 for electronic boards box)